

Crawler Tractor

PR 726

Litronic®

Operating Weight

16,500 – 20,100 kg
36,590 – 44,310 lb

Engine Output

120 kW / 161 HP (SAE J1349)
120 kW / 163 HP (ISO 9249)
Stage IV/Tier 4f



LIEBHERR

Performance

Outstanding Grading and
Pushing Performance

Efficiency

Cost Efficiency
Comes Standard

Engine (ISO 9249)

120 KW/163 HP
Tier 4f/EU Stage IV

Engine (SAE J1349)

120 KW/161 HP
Tier 4f/EU Stage IV

Operating Weight

16,500 – 20,100 kg
36,590 – 44,310 lb

Blade Capacity

3.22 – 4.27 m³
4.21 – 5.58 yd³

Hydrostatic Travel Drive

with electronic control unit



Reliability

Robust Design in Every Regard

Comfort

Ample Space, Ergonomics and Comfort – All in One

Maintainability

Simple Maintenance and an Extensive Service Network



Performance



Outstanding Grading and Pushing Performance

Power and innovative technology are the hallmarks of Liebherr crawler tractors. Whether for precision grading or heavy pushing, the PR 726 is a powerful machine for any application.

High Productivity

Powerful Engines ...

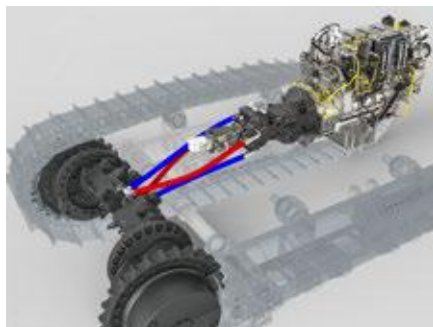
Liebherr diesel engines are designed for the harsh conditions of construction sites and provide the right amount of power in every situation. Depending on the job requirements different operating modes are available for maximum power or fuel-saving operation.

... and an Intelligent Drive System

The hydrostatic travel drive operates smoothly and automatically adjusts the working speed to the load conditions. The engine's power is always transmitted to both tracks without interruption. This permits exact and powerful steering; track slip is minimized and operators can concentrate completely on their work.

Safe on Every Terrain

The drive components have been placed to provide a very low centre of gravity while ensuring maximum ground clearance. This allows for safe operation on the most challenging of steep slopes and embankments, especially in conjunction with the wide LGP undercarriage.



Precise Control

Excellent Maneuverability

When working in tight areas, the hydrostatic travel drive offers an additional benefit. All steering motions – including turning on the spot – are fast and effortless. This makes the PR 726 an exceptionally maneuverable machine, on large and small construction sites.

Outstanding Grading Attributes

Crawler tractors in the compact-size class must provide maximum versatility. The PR 726 delivers an exceptionally smooth ride, precise blade control and perfect view of the blade. This ensures maximum productivity both when pushing heavy material and when fine-grading.

Automatic Machine Control

2D or 3D machine control is becoming increasingly indispensable to enhancing the productivity of the operator and machine. Thanks to their stepless drive concept, Liebherr crawler tractors are ideal for this type of control. To make implementation simple and problem-free, the PR 726 can be fitted with factory-installed preparation kits for grade control systems of all renowned suppliers.

Liebherr Hydrostatic Drive

- Automatic speed and torque adjustment optimizes transmission of engine power to the tracks as the load changes. This results in maximum traction and minimum track slip
- The high efficiency of the hydrostatic drive is available over the entire speed range

Precise Finegrading

- Long tracks and an extremely rigid oscillating bar keep the machine well balanced
- The precise working hydraulics and perfect matching of equipment and base machine provides optimal blade control at all times

2D and 3D Grade Control Technologies

- Liebherr grade control-ready kits provide customers with freedom to choose the optimum system. Laser as well as GNSS control or total station systems can be used on the same machine
- The PR 726 can therefore be easily adapted to specific project requirements

Efficiency



Cost Efficiency Comes Standard

Liebherr crawler tractors are designed from the ground up with economy in mind. Highly efficient drive concept, long service life of components and low maintenance requirements reduce operating costs and increase profits.

Unrivalled Economy

The Latest Engine and Exhaust Technology

The newest generation of Liebherr diesel engines complies with Emission Stage IV/Tier 4 final. Liebherr-SCR technology: the exhaust gas undergoes selective catalytic reduction through injection of urea (DEF, AdBlue®). A diesel particulate filter is not required. As a result, the engine operates in a temperature range of maximum efficiency. The constant, low engine speed, in combination with common rail injection, ensures optimized cylinder charging and, in turn, even more efficient fuel combustion.

Highly Efficient Driveline

The high efficiency of the hydrostatic drive extends over almost the entire speed range. The engine's power is transmitted with minimum loss and fuel consumption is further reduced.

Lower CO₂ Emissions

With exhaust emission values that comply with the most stringent legislation and even provide greater fuel economy than that of previous models, Liebherr Generation 6 crawler dozers set new standards by minimizing their environmental impact.



Optimized for Every Job

A Variety of Track Options

Thanks to the various undercarriage sizes and track shoe options offered, the PR 726 can be ideally configured for specific operation conditions – no matter if in rocky terrain, on steep slopes or on soft ground.

Undercarriage with Rotary Bushings

As the perfect feature when working on very abrasive ground, Liebherr offers tracks with free-turning bushings (FTB). The large, rotating bushings minimise track and sprocket wear; in addition, chain links and rollers have even more wear material. This extends the service life of the entire undercarriage considerably in these specific applications.

Equipment for Special Applications

Applications such as handling of coal, wood chips or waste place enormous demands on crawler tractors. Custom equipment configurations ensure maximum efficiency and a long service life of the PR 726 even under these harsh working conditions.



Eco-Mode

- The Eco-Mode reduces the engine speed at the push of a button lowering fuel consumption even further. Ideal for light- and medium-duty applications
- Additional functions such as Auto-idle or as Auto-engine shutdown, increase economy in daily operation

Universal 6-way Blade

- Spreading material, filling up trenches, building embankments or final grading: the 6-way blade makes the PR 726 a machine with universal working capabilities
- The optional blade with hinged corners limits the transport width to 10 feet (3 meters), thus transporting the machine is fast and inexpensive

Always Informed with LiDAT

- The Liebherr LiDAT data transmission and positioning system contributes to effective fleet management
- Utilizing the latest communication technology, LiDAT provides comprehensive operational data, for efficient machine management, optimization of resources, and remote monitoring

Reliability



Robust Design in Every Regard

Today's construction sites require machines with maximum versatility and ruggedness. The PR 726 meets these demands perfectly thanks to components designed specifically for construction machinery, proven technology and innovative customer-specific solutions, you can expect maximum availability.

Liebherr Driveline

Long-lasting Engines

Diesel engines from Liebherr have powered construction machinery around the world for decades. Developed for the harshest operating conditions their rugged construction and low nominal operating speed guarantee maximum reliability and a long service life.

Wear-free Drive Concept

The proven Liebherr hydrostatic travel drive does not need components such as a torque converter, manual gearbox, differential steering or steering clutches. The high-quality hydraulic pumps and motors operate reliably and practically without wear.

Long-lasting Final Drives

The large final drives used in the PR 726 are extremely robust and designed for the heaviest loads. Double mechanical seals with monitoring for leaks ensure reliable operation.

Rugged Design

Main Frame with a Proven Box-Section Design

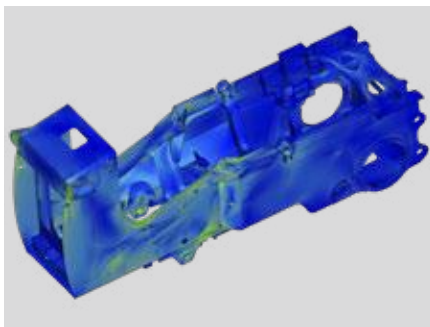
The main frame is constructed using a proven box-section design, which provides maximum torsional stiffness and optimal absorption of forces. Cast steel is used for components subjects to high stress.

Optimized Equipment

The work tools on the PR 726 are designed for the most strenuous applications. All blades are manufactured from high-strength steel. Heavy-duty push frames offer maximum strength and precise blade control. Maintenance-free blade connections on the outside push frames minimize the time and cost involved in service work.

An Intelligent Cooling System

Hydraulically driven fans are activated as needed to regulate the operating temperature independently of the engine's speed. This guarantees short warm-up times and reliable cooling – even in extremely dusty surroundings. For especially critical operating conditions, a fan that reverses automatically can be provided.



From the Screen to the Construction Site

- Optimized layout: at the development stage components are designed with state-of-the-art software tools
- Extensive test bench runs are the next important step in the development process
- Long-term field tests under rigorous conditions ensure maximum machine availability

Key Technologies from Liebherr

- Liebherr has decades of experience in developing, designing and manufacturing components and, as a result, offers maximum reliability
- Important key components such as diesel engines, hydraulic cylinders, final drives and electronics are manufactured in our own facilities, optimized for combined operation and representing the highest quality

Optimized Track Components

- The PR 726 features larger sprockets to ensure maximum wear resistance
- The track tensioner is fully encapsulated and, as a result, ideally protected from external material
- As a further measure, the temperature of the final drives is constantly monitored for increased machine reliability

Comfort



Comfort, Space and Ergonomics: All in One

The completely redesigned working environment offers exceptional operator comfort. With its generous space, ergonomic layout and low sound levels, the Liebherr comfort cab provides the perfect conditions for fatigue-free and focused work.

Deluxe Cab

Ergonomic and Purposely Designed

The well-thought-out design of the operator's cab provides the essential conditions for relaxed and productive work. All instruments and operating controls are carefully organized for easy reach. An unobstructed view of the work equipment and perfect all-round visibility allows the operator to concentrate fully on the task at hand.

Convenience in Daily Use

Well thought-out solutions, such as a cooled storage compartment, additional footrests, 3D armrest adjustment and a powerful air conditioning system enhance operator comfort and productivity during daily operation.

Quiet and Dust-free

Thanks to effective sound insulation and modern, low-noise diesel engines, the PR 726 feature extremely low noise levels that lie well below the legal limits. The pressurized cab keeps the operator's environment free of dust from the surroundings.

Simple and Intuitive Operation

Single-lever Control

All driving functions can be controlled smoothly and precisely with only one operating lever – including the "turning on the spot" function. The travel joystick is optionally available in either a proportional or a detented version – this allows control to be matched optimally to the needs of the operator.

Safety-Plus Comfort Seat

The standard air-sprung seat adjusts perfectly to the operator and deactivates the machine automatically on exiting the cab.

The Hydrostatic Drive as Service Brake

The crawler tractor operates with continuous power on both tracks even when driving on slopes. Thanks to the self-locking nature of the hydrostatic drive system, the operator can bring the machine to a stop at any time simply by returning the joystick to the "neutral" position – or by depressing the inching pedal. An automatically activated parking brake provides additional safety.



Individual Set-up

- The intuitive touch-controlled screen conveniently displays all important operating data
- At the push of a button, the operator can adjust a wide variety of machine settings – for example, the response of the travel drive precisely to his needs

Intuitive Control

- The new ergonomically shaped joysticks provide the operator with a relaxed, fatigue-free hand posture
- 3 speeds can be programmed individually
- In addition, an inching pedal is available. It can be operated with or without lowering the engine speed – perfect customization for the operator

Unrivalled Visibility

- Additional safety features such as larger panoramic windows, downward-sloping edges all-round and the integrated ROPS/FOPS protection give the operator unmatched all-round visibility
- Greater productivity: thanks to wider doors and optimized engine covers, the operator always has an excellent view of the work equipment

Maintainability



Simple Maintenance and an Extensive Service Network

Thanks to their minimal maintenance requirements, Liebherr crawler tractors make a reliable contribution to your economic success. A dense service network means short distances and fast response times for the user.

Cost-effective Maintenance

Simple Daily Checks

All items that the operator checks during daily routine inspections are readily accessible on one side of the engine. The hydraulically tilted cab provides easy access to components as well. Service work can be performed quickly and efficiently.

Long Maintenance Intervals

Perfectly matched components and lubricants allow for exceptionally long maintenance intervals, e.g. up to 2,000 operating hours for the diesel engine. Hydraulic oil change intervals of up to 8,000 operating hours save costs and minimise downtime.

Optimal Planning

Planned Costs

Liebherr crawler dozers come with extensive standard warranties for the entire machine and the drive train. Customized inspection and service programs allow optimal planning of all maintenance activities.

Remanufacturing

The Liebherr remanufacturing program offers cost-effective reconditioning of components to the highest quality standards. Various reconditioning levels are available: Replacement components, general overhaul or repair. The customer receives components with original part quality at a reduced cost.

The Focus is on the Customer

Professional Advice and Service

Professional advice is a given at Liebherr. Experienced specialists provide decision guidance for your specific requirements: application-oriented sales support, service agreements, value-priced repair alternatives, original parts management, as well as LiDAT remote data transmission for machine planning and fleet management.

Continuous Dialogue with Users

We utilise the expert knowledge and practical experience of our customers to consistently optimize our machines and services – real solutions for real situations.



Easy Access

- All service points are centrally located and easily accessible. Thanks to wide-opening access doors, routine inspection of the machine is easily performed
- The lube point for the oscillating bar bearing is located very conveniently in the engine compartment
- Optional lighting in the engine area makes maintenance and service work easy

Tilt-out Cooling Fan

- In especially dusty applications, the swingout fan of the PR 726 simplifies the cleaning of the cooling system
- The radiator grille requires no tools to open

Expedited Spare Parts Service

- 24-hour delivery: spare parts service is available for our dealers around the clock.
- Electronic spare parts catalogue: fast and reliable selection and ordering via the Liebherr online portal
- With online tracking, the current processing status of your order can be viewed at any time

Technical Data



Engine

Liebherr Diesel engine	D 934 A7 Emission regulations according to 97/68/EC, 2004/26/EC Stage IV, EPA/CARB Tier 4f
Rated power (net)	
ISO 9249	120 kW / 163 HP
SAE J1349	120 kW / 161 HP
Maximum power (net)	
ISO 9249	140 kW / 190 HP
SAE J1349	140 kW / 188 HP
Rated speed	2,000 rpm
Displacement	7 l / 427 in ³
Design	4 cylinder in-line engine, water-cooled, turbocharged, air-to-air intercooler
Injection system	Direct fuel injection, Common Rail, electronic control
Lubrication	Pressurised lube system, engine lubrication guaranteed for inclinations up to 45°, on all sides
Operating voltage	24 V
Alternator	140 A
Starter	7.8 kW / 11 HP
Batteries	2 x 180 Ah / 12 V
Air cleaner	Dry-type air cleaner with pre-cleaner, main and safety elements, control light in the operator's cab
Cooling system	Combi radiator, comprising radiators for water, hydraulic fluid and charge air. Hydrostatic fan drive



Hydraulics

Hydraulic system	Load sensing (demand-controlled)
Pump type	Swash plate piston pump
Pump flow max.	148 l/min. / 39.1 gpm / 32.6 Imp.gmp
Pressure limitation	200 bar / 2,900 psi
Control valve	2 segments, expandable to 4
Filter system	Return filter with magnetic rod in the hydraulic tank
Control	Single joystick for all blade functions



Travel Drive, Control

Transmission system	Infinitely variable hydrostatic travel drive, independent drive for each track
Travel speed*	Continuously variable
Speed range 1 (reverse):	0 – 4.0 km/h / 2.5 mph (4.5 km/h / 2.8 mph)
Speed range 2 (reverse):	0 – 6.0 km/h / 3.7 mph (8.0 km/h / 4.9 mph)
Speed range 3 (reverse):	0 – 11.0 km/h / 6.8 mph (11.0 km/h / 6.8 mph)
	* Travel speed ranges can be set on the travel joystick (memory function)
Electronic control	The electronic system automatically adjusts travel speed and drawbar pull to match changing load conditions
Steering	Hydrostatic
Service brake	Hydrostatic (self-locking), wear-free
Parking brake	Multi-disk brake, wear-free, automatically applied with neutral joystick position
Cooling system	Hydraulic oil cooler integrated in combi radiator, hydrostatic fan drive
Filter system	Micro cartridge filters in replenishing circuit
Final drive	Combination spur gear with planetary gear, double-sealed (duo cone seals)
Control	Single joystick for all travel and steering functions



Operator's Cab

Cab	Resiliently mounted cab with positive pressure ventilation, can be tilted with hand pump 40° to the rear. With integrated ROPS Rollover Protective Structure (EN ISO 3471) and FOPS Falling Objects Protective Structure (EN ISO 3449)
Operator's seat	Air-suspended comfort seat, fully adjustable
Monitoring	Touch screen: display of current machine information, automatic monitoring of operating conditions. Individual setting of machine parameters

Undercarriage

	XL	LGP
Design	Undercarriage with rigid bottom rollers	
Mounting	Via separate pivot shafts and equalizer bar	
Track chains	Lubricated, single-grouser shoes, tensioning via a steel spring and grease tensioner	
Links, each side	46	46
Track rollers, each side	8	8
Carrier rollers, each side	2	2
Sprocket segments, each side	6	6
Track shoes, standard	610 mm/24"	812 mm/32"
Track shoes, optional	560 mm/22"	914 mm/36"



Sound Levels

Operator sound exposure ISO 6396	
L _{pA} (in the cab)	75 dB(A)
Exterior sound pressure 2000/14/EC	
L _{WA} (to the environment)	109 dB(A)



Refill Capacities

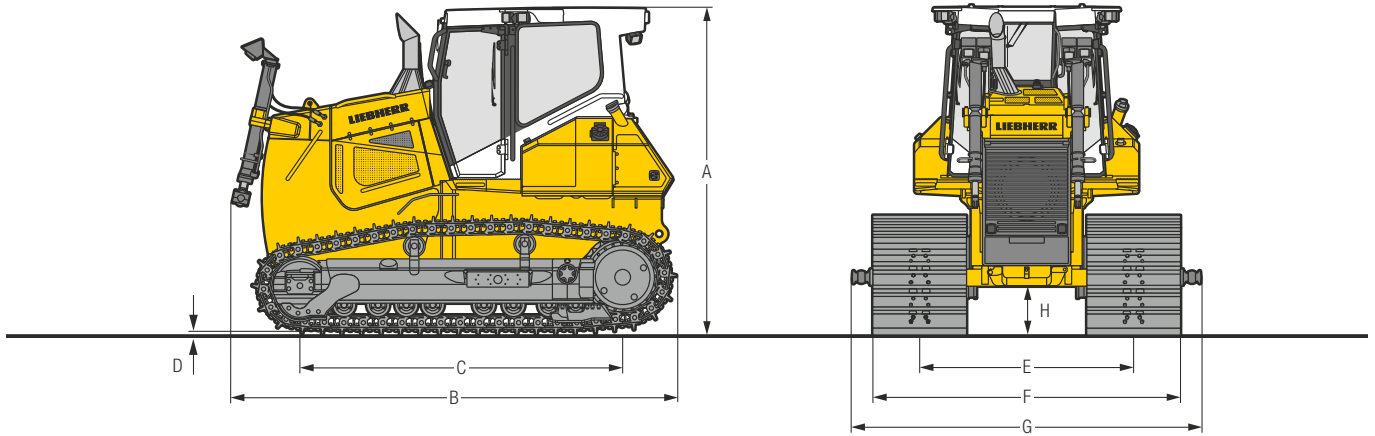
Fuel tank	430 l/113.6 gal/94.6 Imp.gal
Diesel Exhaust Fluid (DEF) tank	50 l/13.2 gal/11 Imp.gal
Cooling system	41 l/10.8 gal/8.8 Imp.gal
Engine oil, with filter	29 l/7.7 gal/6.4 Imp.gal
Hydraulic tank	111 l/29.3 gal/24.04 Imp.gal
Final drive XL, each side	16 l/4.2 gal/3.5 Imp.gal
Final drive LGP, each side	22.5 l/5.9 gal/4.9 Imp.gal



Drawbar Pull

Max.	268 kN
at 1.5 km/h / 0.9 mph	236 kN
at 3.0 km/h / 1.9 mph	123 kN
at 6.0 km/h / 3.7 mph	62 kN
at 9.0 km/h / 5.6 mph	41 kN

Dimensions

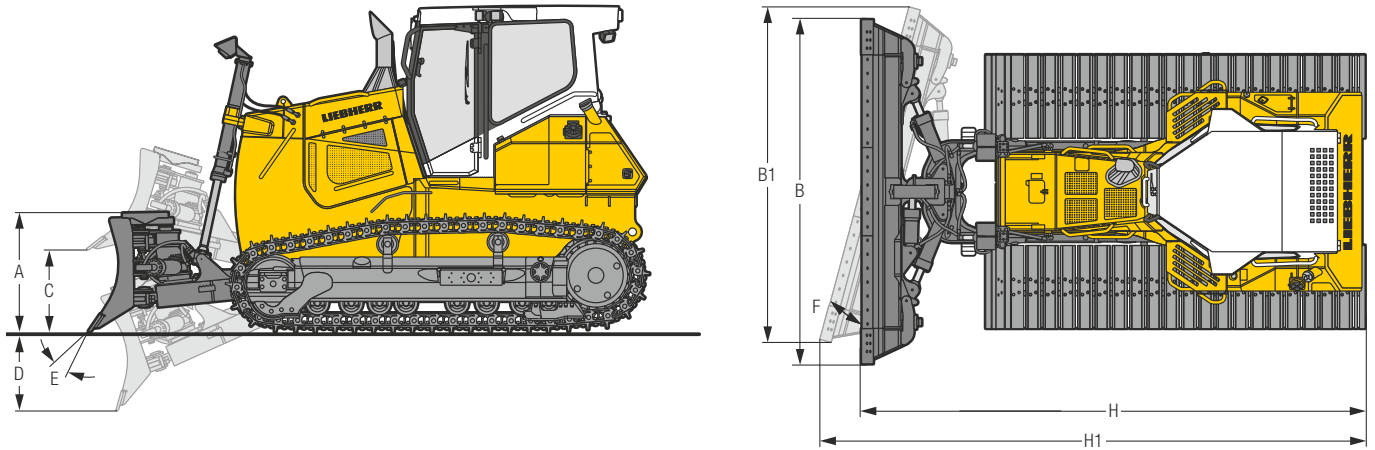


Dimensions

Undercarriage			XL	LGP
A Height over cab		mm	3,205	3,205
		ft in	10'6"	10'6"
B Overall length without attachments		mm	4,180	4,180
		ft in	13'9"	13'9"
C Length of track on ground		mm	3,168	3,168
		ft in	10'5"	10'5"
D Height of grousers		mm	56	56
		in	2.2"	2.2"
H Ground clearance		mm	429	429
		ft in	1'5"	1'5"
E Track gauge		mm	1,800	2,084
		ft in	5'11"	6'10"
G Width over trunnions		mm	2,648	3,248
		ft in	8'8"	10'8"
F Track shoes 560 mm / 22"	Width over tracks	mm / ft in	2,360 / 7'9"	–
	Tractor shipping weight ¹⁾	kg / lb	14,430 / 31,813	–
F Track shoes 610 mm / 24"	Width over tracks	mm / ft in	2,410 / 7'11"	–
	Tractor shipping weight ¹⁾	kg / lb	14,570 / 32,121	–
F Track shoes 812 mm / 32"	Width over tracks	mm / ft in	–	2,896 / 9'6"
	Tractor shipping weight ¹⁾	kg / lb	–	15,342 / 33,823
F Track shoes 914 mm / 36"	Width over tracks	mm / ft in	–	2,998 / 9'10"
	Tractor shipping weight ¹⁾	kg / lb	–	15,623 / 34,443

¹⁾ Including coolant and lubricants, 20% fuel, ROPS/FOPS cab.

Front Attachments



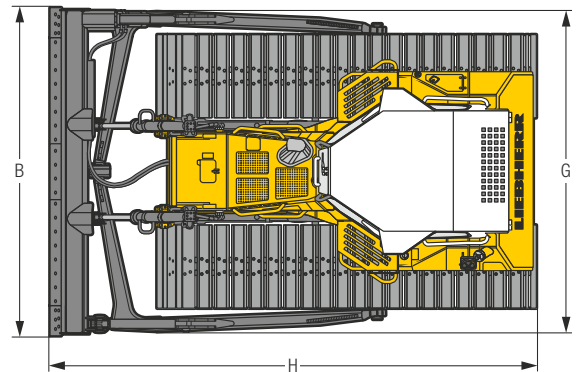
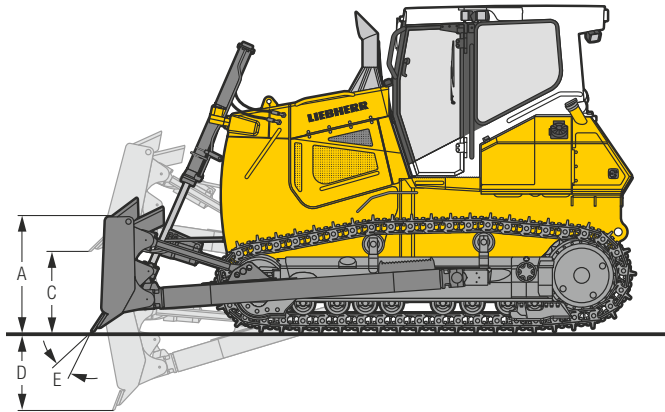
6-Way Blade with Inside Mounted Push Frame

		6-way blade	6-way blade with hinged corners	6-way blade	6-way blade with hinged corners
		XL	XL	LGP	LGP
Undercarriage					
Blade capacity, ISO 9246	m³	3.22	3.22	3.60	3.60
	yd³	4.21	4.21	4.71	4.71
A Height of blade	mm	1,200	1,200	1,100	1,100
	ft in	3'11"	3'11"	3'7"	3'7"
B Width of blade	mm	3,272	3,272	4,021	4,021
	ft in	10'9"	10'9"	13'2"	13'2"
B1 Width of blade, angled	mm	3,065	3,145	3,755	3,860
	ft in	10'1"	10'4"	12'4"	12'8"
Transport width	mm	2,997 ²⁾	2,498	3,650 ²⁾	2,998
	ft in	9'10"	8'2"	12'	9'10"
C Lifting height	mm	1,147	1,147	1,134	1,134
	ft in	3'9"	3'9"	3'9"	3'9"
D Digging depth	mm	475	475	469	469
	ft in	1'7"	1'7"	1'6"	1'6"
E Blade pitch adjustment		5°	5°	5°	5°
F Blade angle adjustment		23°	18°	23°	18°
Max. blade tilt	mm	486	486	598	598
	ft in	1'7"	1'7"	2'	2'
H Overall length, blade straight	mm	5,547	5,547	5,510	5,510
	ft in	18'2"	18'2"	18'1"	18'1"
H1 Overall length, blade angled	mm	6,130	6,017	6,246	6,109
	ft in	20'1"	19'9"	20'6"	20'1"
Track shoes 560 mm / 22"					
Operating weight ¹⁾	kg / lb	16,818 / 37,077	17,095 / 37,688	–	–
Ground pressure ¹⁾	kg/cm² / psi	0.47 / 6.68	0.48 / 6.83		
Track shoes 610 mm / 24"					
Operating weight ¹⁾	kg / lb	16,958 / 37,386	17,235 / 37,997	–	–
Ground pressure ¹⁾	kg/cm² / psi	0.44 / 6.26	0.44 / 6.26		
Track shoes 812 mm / 32"					
Operating weight ¹⁾	kg / lb	–	–	17,883 / 39,425	18,208 / 40,142
Ground pressure ¹⁾	kg/cm² / psi			0.35 / 4.98	0.35 / 4.98
Track shoes 914 mm / 36"					
Operating weight ¹⁾	kg / lb	–	–	18,164 / 40,045	18,489 / 40,761
Ground pressure ¹⁾	kg/cm² / psi			0.31 / 4.41	0.32 / 4.55

¹⁾ Including coolant and lubricants, 100% fuel, ROPS/FOPS cab, operator, 6-way blade.

²⁾ Blade angled and 5° tilted.

Front Attachments



Semi-U Blade and Straight Blade

		Semi-U blade	Straight blade
Undercarriage		XL	LGP
Blade capacity, ISO 9246	m ³	4.27	3.43
	yd ³	5.58	4.49
A Height of blade	mm	1,250	1,100
	ft in	4'1"	3'7"
B Width of blade	mm	3,000	3,600
	ft in	9'10"	11'10"
C Lifting height	mm	1,060	1,058
	ft in	3'6"	3'6"
D Digging depth	mm	472	471
	ft in	1'7"	1'7"
E Blade pitch adjustment		10°	10°
	Max. blade tilt	mm	636
	ft in	2'1"	2'0"
G Width over push frame	mm	2,914	3,512
	ft in	9'7"	11'6"
H Overall length	mm	5,556	5,337
	ft in	17'7"	17'6"
Track shoes 560 mm / 22"			
	Operating weight ¹⁾	kg / lb	16,651 / 36,709
	Ground pressure ¹⁾	kg/cm ² / psi	0.47 / 6.68
Track shoes 610 mm / 24"			
	Operating weight ¹⁾	kg / lb	16,791 / 37,018
	Ground pressure ¹⁾	kg/cm ² / psi	0.43 / 6.11
Track shoes 812 mm / 32"			
	Operating weight ¹⁾	kg / lb	–
	Ground pressure ¹⁾	kg/cm ² / psi	17,690 / 39,000
			0.34 / 4.83
Track shoes 914 mm / 36"			
	Operating weight ¹⁾	kg / lb	–
	Ground pressure ¹⁾	kg/cm ² / psi	17,971 / 39,619
			0.31 / 4.41

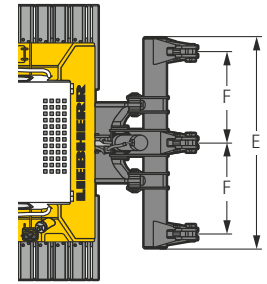
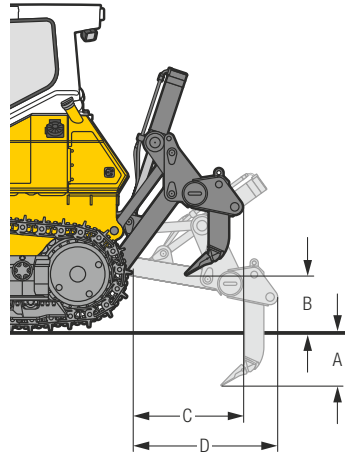
¹⁾ Including coolant and lubricants, 100% fuel, ROPS/FOPS cab, operator, semi-U or straight blade.

Rear Attachments



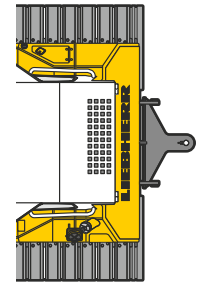
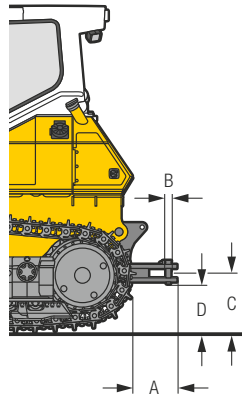
3-Shank Ripper

A	Ripping depth (max. / min.)	mm	500/350
		ft in	1'8"/1'2"
B	Lifting height (max. / min.)	mm	650/500
		ft in	2'2"/1'8"
C	Additional length, attachment raised	mm	1,088
		ft in	3'7"
D	Additional length, attachment lowered	mm	1,444
		ft in	4'9"
E	Overall beam width	mm	2,300
		ft in	7'7"
F	Distance between shanks	mm	1,000
		ft in	4'9"
	Max. pitch adjustment		-
	Weight	kg	1,448
		lb	3,192



Drawbar

		rigid	
A	Additional length	mm	479
		ft in	1'7"
B	Socket pin diameter	mm	45
		ft in	1.77"
C	Height of jaw	mm	529
		ft in	1'9"
D	Ground clearance	mm	439
		ft in	1'5"
	Jaw opening	mm	90
		ft in	3.54"
	Weight	kg	211
		lb	465



Equipment



Base Machine

Additional handle on fuel tank	+
Air filter with automatic dust ejector	•
Air filter, dry type, dual step, with pre-filter	•
Auto Idle	+
Automatic engine shut-off	+
Battery compartment, lockable	•
Coal arrangement	1)
Cold environment arrangement	1)
Cooling fan, hydraulically driven	•
Cooling fan, reversible	+
Cooling fan, tiltable without tools	+
Diesel Exhaust Fluid (DEF) tank, lockable	+
Diesel particulate filter	+
Engine compartment doors, lockable	•
Forestry arrangement	1)
Fuel pre-filter	•
Fuel water separator	•
Grade control ready kit	+
Landfill arrangement	1)
LiDAT – Data transmission system	•
Liebherr diesel engine emission stage IV/Tier 4f	•
Liebherr hydraulic oil, biologically degradable	+
Lugs for crane lifting, front	•
Lugs for crane lifting, rear	+
Radiator guard, hinged	•
Radiator, wide-meshed	•
Refuelling pump, electric	+
Spade with mounting bracket	+
Special paint scheme	+
Tool kit, basic	•
Tool kit, extended	+
Towing hitch rear	•
Towing lug front	•
Woodchip arrangement	1)



Hydraulic System

Blade float function	•
Blade quick drop function	•
Control block for 2 circuits	•
Hydraulic kit for ripper	+
Hydraulic kit for winch	+
Oil filter in hydraulic tank	•
Variable flow pump, load-sensing	•



Travel Drive

Emergency stop	•
Final drives planetary gear	•
Inching brake pedal	+
Load limit control, electronic	•
Parking brake, automatic	•
Seat contact switch	•
Travel control, 3 speed ranges	•
Travel drive joystick, detented	+
Travel drive joystick, proportional	•
Travel drive, hydrostatic	•



Operator's Cab

Air-conditioner	•
Armrests 3D adjustable	•
Cab heating	•
Coat hook	•
Dome light	•
Dust filter system pressurised	+
Extension of cab door footsteps	+
Fire extinguisher in the cab	+
Footrest on the front console	+
Grab handles at joysticks	+
Operator's seat Comfort, air-suspended	•
Operator's seat Premium, air-suspended	+
Pressurised cab	•
Protective grid, rear window	+
Radio	+
Radio preparation kit	•
Rear-mounted mirror for ripper	+
Rear-view camera	+
Rear-view mirror, inside	•
Rear-view mirrors, external	+
ROPS/FOPS integrated	•
Safety glass tinted	•
Sliding window left	+
Sliding window right	+
Socket 12 V	•
Storage nets	+
Stowage compartment, air-conditioned	•
Sunblind, front	+
Touch-controlled color display	•
Windshield washer system	•
Windshield wipers front, rear, doors, with intermittent function	•

• = Standard

+ = Option

1) On demand at your dealer

Equipment



Electrical System

1 additional working light on each lift cylinder	+
1 working light on each lift cylinder	•
2 additional working lights on the cab, rear	+
2 cold start batteries	•
2 working lights on the cab, rear	•
4 working lights on the cab, front	•
All working lights in LED version	+
Amber beacon	+
Back-up alarm	+
Back-up alarm, acoustic and visual	+
Back-up alarm, switchable	+
Battery main switch	•
Battery main switch, lockable	+
Horn	•
Immobiliser, electronic	+
On-board voltage 24 V	•



Undercarriage

Master link, two-piece	•
Sprocket segments with recesses	+
Sprocket segments, bolted	•
Track frame, closed	•
Track guard, full length	+
Track guide, centre part	+
Track guides, front and rear	•
Track pads with mud holes ²⁾	+
Track shoes, moderate service	•
Tracks, oil-lubricated	•
Undercarriage LGP	+
Undercarriage with rotary bushings FTB ²⁾	+
Undercarriage XL	+



Attachments Front

6-way blade	+
6-way blade with hinged corners	+
Coal U-blade	1)
Guards for hydraulic cylinders, 6-way blade	+
Mechanical angle blade	1)
Semi-U blade	+
Side wings for 6-way blade, bolt-on	+
Side wings for straight blade, weld-on	+
Spill plate	+
Straight blade	+
Trash rack	+
Wear plates on push frame	+
Woodchip U-blade	1)



Attachments Rear

Counterweight, rear (1,567 kg/3,455 lb)	+
Drawbar rear, rigid	+
Mounting plate for third-party equipment	+
Ripper, 3 shanks	+
Ripper, 5 shanks	+
Towing hitch on ripper	+
Winch	+

• = Standard

+ = Option

¹⁾ On demand at your dealer

²⁾ Available track shoes on demand at your dealer

Standard equipment may vary. Consult your Liebherr dealer for details.

The Liebherr Group of Companies



Diverse Product Range

The Liebherr Group is one of the largest construction equipment manufacturers in the world. Liebherr's quality products and services hold a high reputation in many industries. The wide range includes domestic appliances, aerospace and transportation systems, machine tools and maritime cranes.

Exceptional Customer Benefit

Every product line provides a complete range of models in many different versions. With both their technical excellence and superior quality, Liebherr products offer customers the highest benefits in practical applications.

State-of-the-art Technology

Liebherr attributes great importance to the product areas of core technology and components, in order to achieve its consistent, top-quality products. Important modules and components are developed and manufactured in-house, for instance, the entire drive and control technology for the construction equipment and mining trucks.

Worldwide and Family-Owned

Hans Liebherr founded the Liebherr family company in 1949. Since that time, the enterprise has steadily grown to a group of more than 130 companies with more than 46,000 employees located on all continents. The corporate headquarters of the Group is Liebherr-International AG in Bulle, Switzerland. The Liebherr family is the sole owner of the company.

www.liebherr.us

Liebherr USA, Co.

Construction Equipment Division
4100 Chestnut Avenue, Newport News, VA 23607, USA
☎ +1 (757) 245 5251, Fax +1 (757) 928 8701
www.liebherr.us, E-Mail: Construction.USA@liebherr.com
www.facebook.com/LiebherrConstruction