

Dynapac CA3500D

Single drum vibratory rollers

Atlas Copco



Technical data

Masses	
Operating mass (incl. ROPS)	11,900 kg
Operating mass (incl. Cab)	12,100 kg
Module mass (front/rear)	7,600 kg/4,500 kg
Max. operating mass	13,800 kg

Dimensions	
Drum width	2,130 mm

Traction	
Speed range (Dual/TC/AS)	4/6/7/12 km/h
Vertical oscillation	±9°
Tyre size (8 ply)	23,1 x 26 AW
Theor. gradeability	55 %

Compaction	
Static linear load	36 kg/cm
Nominal amplitude (high/low)	1.9 mm/0.9 mm
Vibration frequency (high/low amplitude)	31 Hz/34 Hz
Centrifugal force (high/low amplitude)	280 kN/170 kN

Engine	
Manufacturer/Model	Cummins QSF3.8 (IV/4final)
Type	Water cooled turbo Diesel
Rated power, SAE J1995	97 kW (130 hp) @ 2,200 rpm
Fuel tank capacity	272 l
DEF tank capacity	20 l

Engine	
Manufacturer/Model	Cummins QSB4.5 (IIIA/3)
Type	Water cooled turbo Diesel
Rated power, SAE J1995	97 kW (130 hp) @ 2,200 rpm

Hydraulic system	
Driving	Hydrostatic
Vibration	Hydrostatic
Steering	Hydrostatic
Service brake	Hydrostatic in forward and reverse lever.
Parking/Emergency brake	Failsafe multidisc brake in drum gear box and in rear axle.

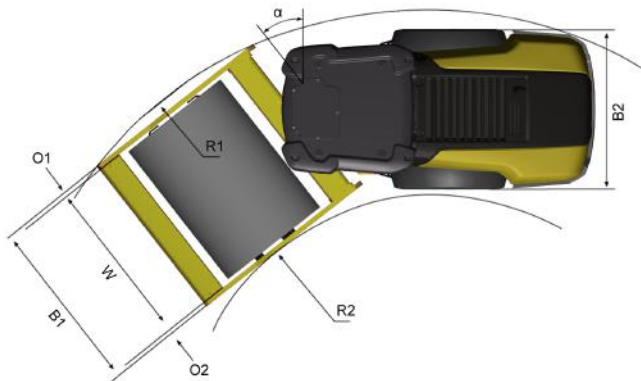
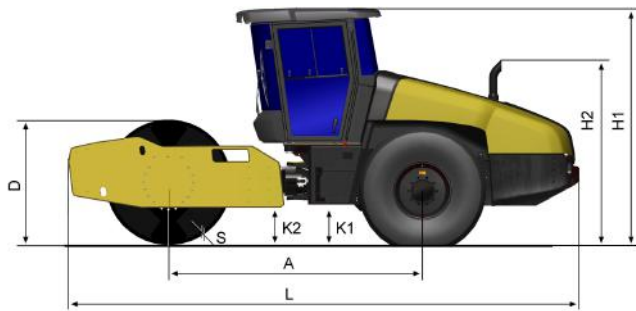
Find us locally at www.atlascopco.com

We reserve the right to change specifications without notice. Photos and illustrations do not always show standard versions of machines. The above information is a general description only, all informations are supplied without liability.

Dynapac CA3500D

Single drum vibratory rollers

Technical data



Dimensions	
A. Wheelbase	2,990 mm
B1. Width, front	2,304 mm
B2. Width, rear	2,130 mm
D. Drum diameter	1,520 mm
H1. Height, with ROPS/cab	2,880 mm
H2. Height, w/o ROPS/cab	2,130 mm
K1. Ground clearance	450 mm
K2. Curb clearance	450 mm
L. Length	5,990 mm
O1. Overhang, right	87 mm
O2. Overhang, left	87 mm
R1. Turning radius, outside	5,450 mm
R2. Turning radius, inside	3,300 mm
S. Drum shell thickness	35 mm
W. Drum width	2,130 mm
α. Steering angle	±38°

Find us locally at www.atlascopco.com

We reserve the right to change specifications without notice. Photos and illustrations do not always show standard versions of machines. The above information is a general description only, all informations are supplied without liability.

rce_ca3500d_au-20170911.104630.pdf 2017-09-11 10:46